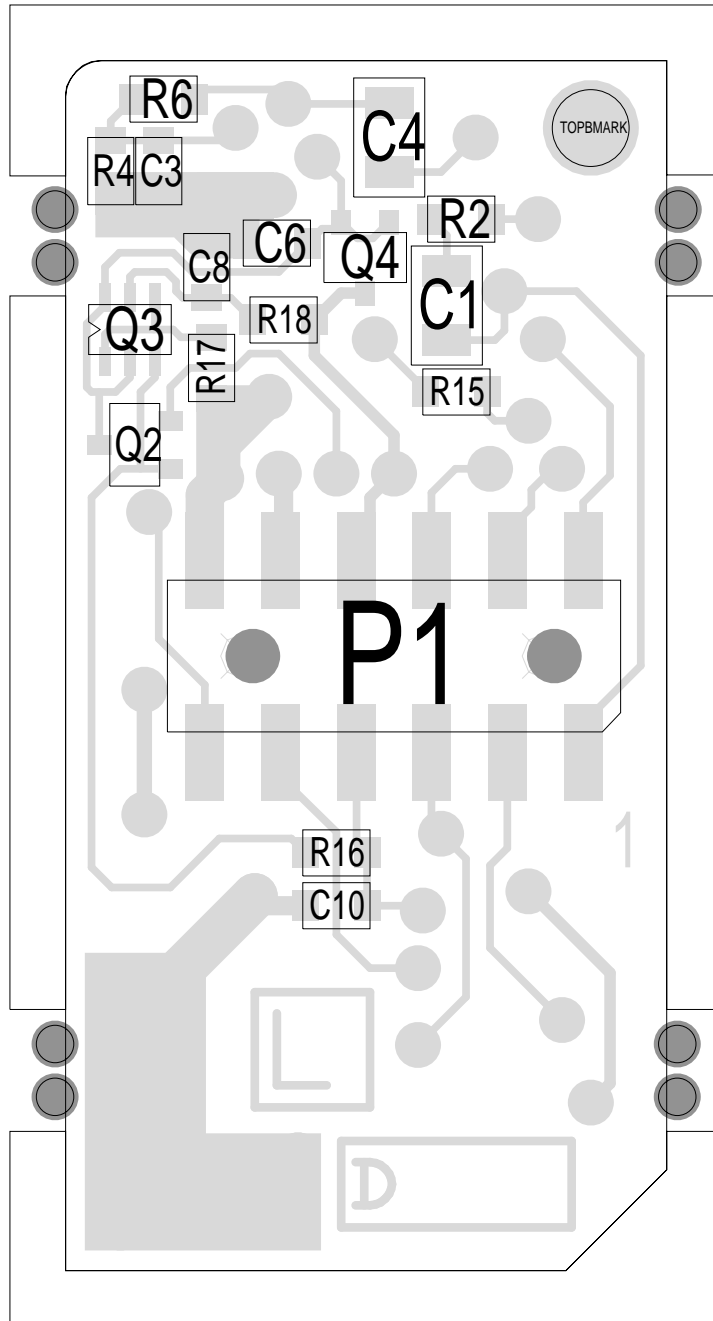


© TAIT ELECTRONICS			
TM8000 OPTIONS BOARD DYNAMIC MIC/COVERT			
IPN: 226-00136-01	ISSUE: A	ID: 2.SC. 1	
PROJECT: TM8000	DESIGNER: RPS	FILE NAME: 0013601a	FILE DATE: 27-Nov-02
			NO.SHEETS: 1

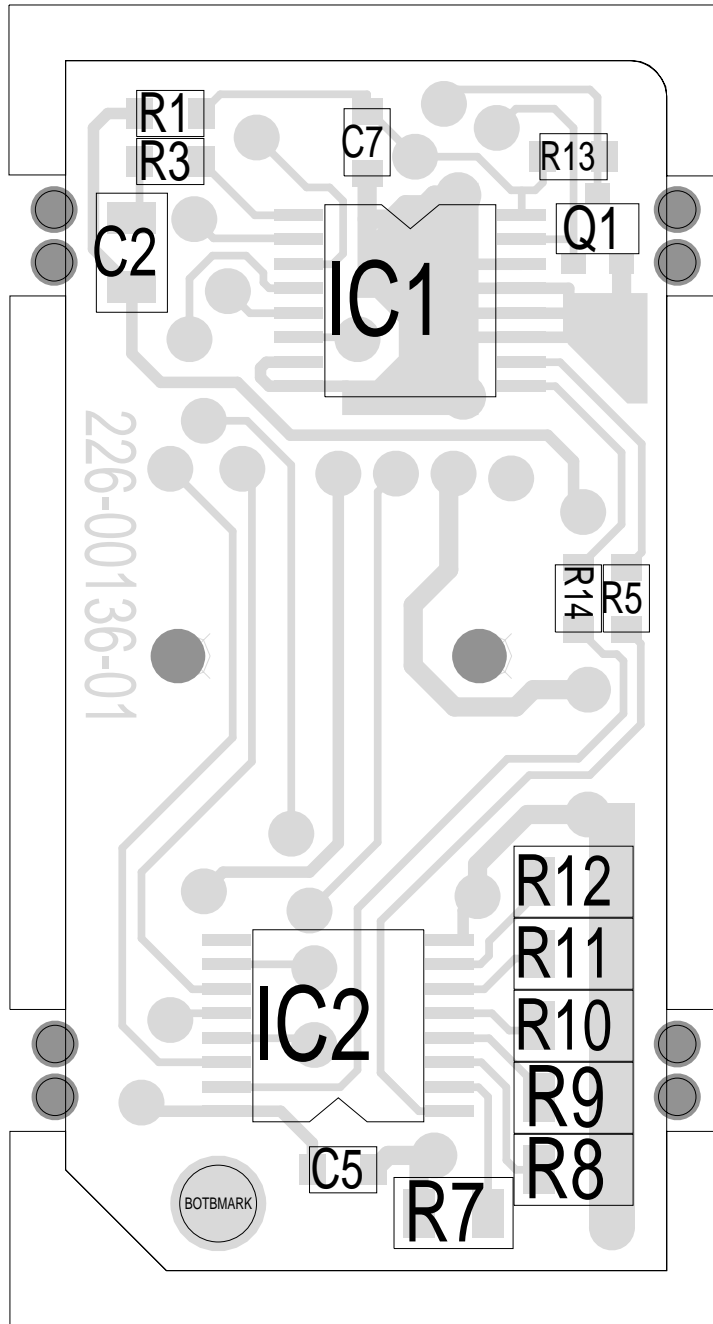
01A	NEW INTERFACE, SEPERATE FROM MAIN CONTROL BRD.	RPS				26/11/02
REV/ISS	AMENDMENTS	DRAWN	CHKD	D.O.	APVD	DATE





TAIT ELECTRONICS	IPN: 226-00136-01	ISS: A	ID: 1.TA	DATE: 26 Nov 2002
	DYNAMIC MIC PCB LAYOUT - TOP SIDE			

Scale:5:1 ; Rotation: 0 degrees



TAIT ELECTRONICS	IPN:	ISS:	ID:	DATE:
	226-00136-01	A	2.BA	26 Nov 2002
DYNAMIC MIC PCB LAYOUT - BOTTOM SIDE				

Scale: 5:1 ; Rotation: 0 degrees